

FIG. 3

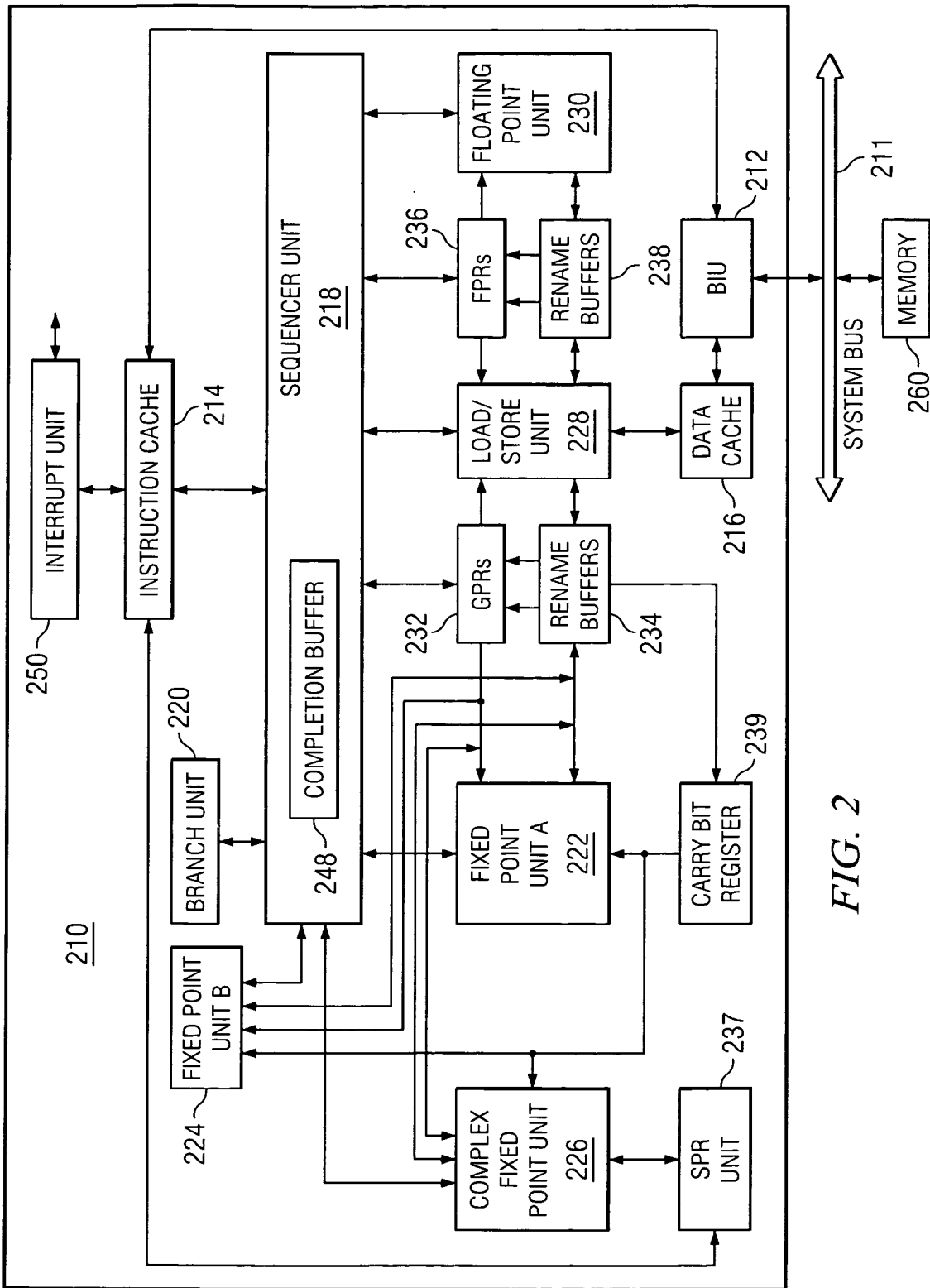


FIG. 2

3/4

404 OFFSET ADDRESS	406 CONTENT
410 0x0000	408 VHPT DATA FAULT COUNT (8 BYTES)
414 0x0008	412 VHPT DATA FAULT CODE (400 BYTES)
0x0408	DATA TLB FAULT COUNT
0x0410	DATA TLB FAULT CODE
0x0810	DATA NESTED TLB FAULT COUNT
402 0x0818	DATA NESTED TLB FAULT CODE
0x0c18	DATA ACCESS RIGHT FAULT COUNT
0x0c20	DATA ACCESS RIGHT FAULT CODE
0x1020	DATA DEBUG FAULT COUNT
0x1028	DATA DEBUG FAULT CODE

402
INTERRUPT
DESCRIPTOR
TABLE (IDT)

FIG. 4

FORMULA =
INTERRUPT COUNTER TABLE (ICT) 8xCountOffset + 0x4000

512 OFFSET ADDRESS	516 COUNT	504 OFFSET ADDRESS	506 INTERRUPT TYPE	502 COUNT OFFSET
0x4000	0	0x0000	VHPT DATA FAULT	0
0x4008	0	0x0400	DATA TLB FAULT	1
0x4010	0	0x0800	DATA NESTED TLB FAULT	2
0x4018	0	0x0c00	DATA ACCESS RIGHTS FAULT	3
0x4020	0	0x1000	DATA DEBUG FAULT	4
0x4028	0	0x1400	DATA PAGE NOT PRESENT FAULT	5
0x4030	0	0x1800	DATA KEY PERMISSION FAULT	6
0x4038	0	0x1c00	FLOATING POINT TRAP	7
0x4040	0	0x2000	TAKEN BRANCH TRAP	8
0x4048	0	0x2400	UNSUPPORTED DATA REFERENCE TRAP	9

514
8 BYTES

508
INTERRUPT
DESCRIPTOR
TABLE (IDT)

FIG. 5

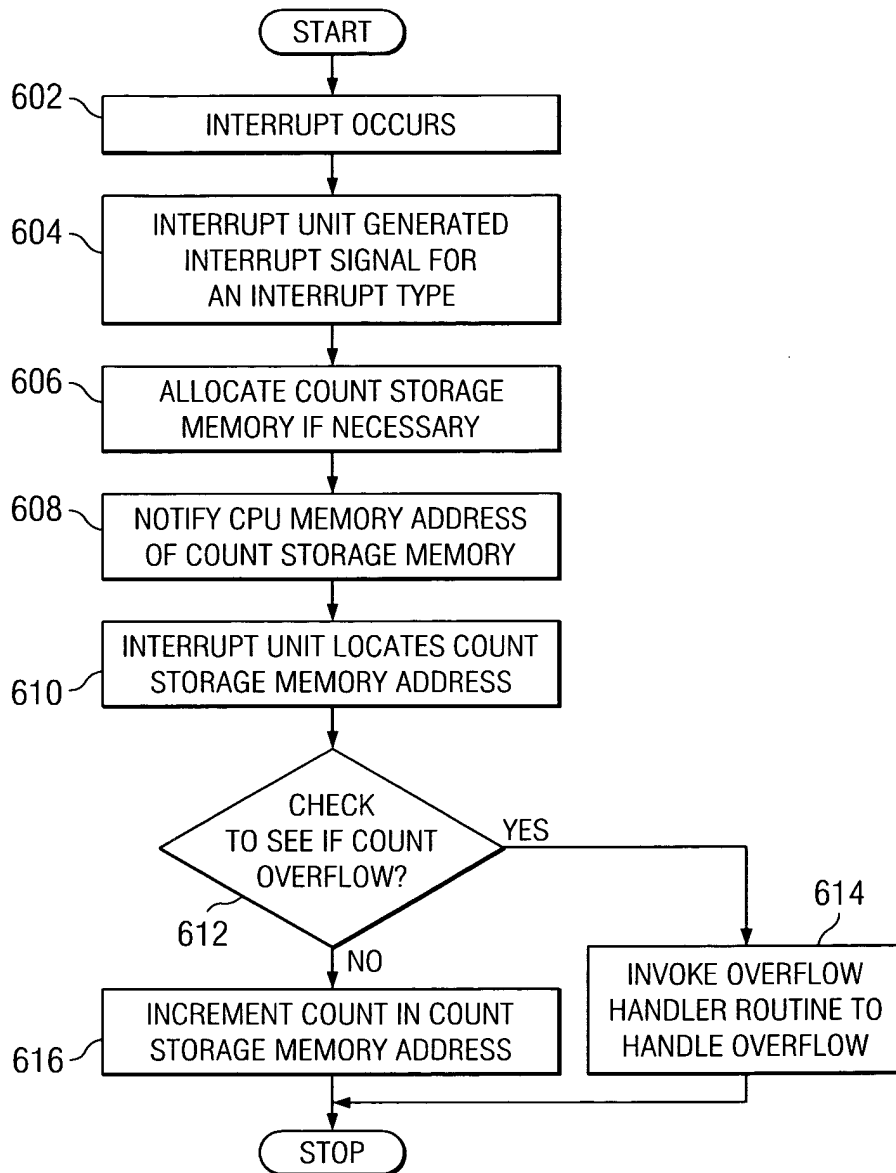


FIG. 6